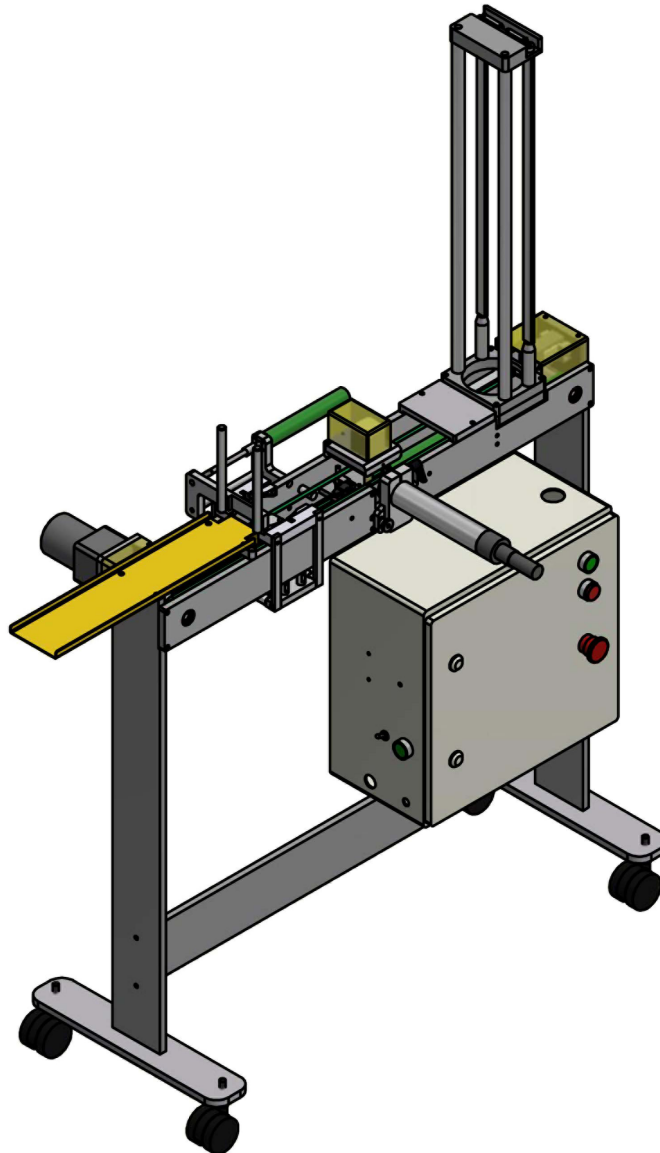


## MultiPRINT™ Standalone Printing Systems



### Model 097

- Designed to accommodate single sized plates, with a magazine capacity of 20.
- Minimal setup for ease of use.
- Manual infeed and outfeed of stacks
- Includes a print head bracket customized to the customer printer.
- Includes a sensor to trigger the printer.

**ONLINE**

**Engineering inc.**